

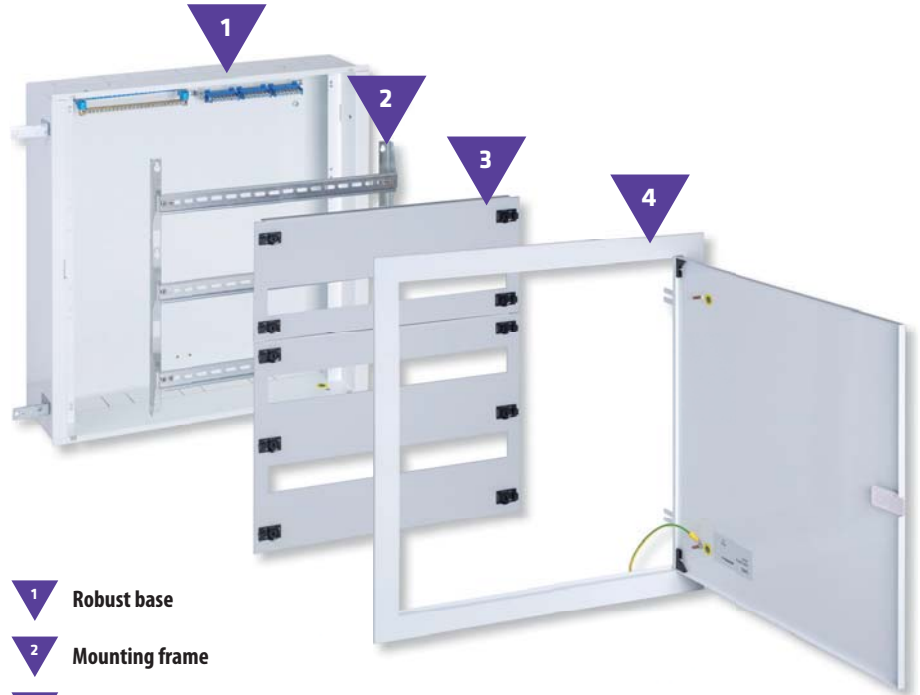
RZB, RNB DISTRIBUTION BOARDS



N terminal blocks for residual current circuit breakers are for free now in DistriTon RZB, RNB distribution boards.

- Steel-sheet distribution boards for flush mounting RZB and for wall mounting RNB.
- For building installations and infrastructure.
- For mounting devices on "U" rails according to EN 60715 of width 35 mm.
- 24 or 33 modules in row, 3 ÷ 6 rows.
- Self-supporting mounting frame, made from "U" rails, allows easily to fill distribution board outside the base.
- White colour according to RAL9016.
- Package contains standardly: - SB terminal blocks for Cu conductors.
- Protection class: I.

Distribution board assembly



- 1 Robust base
- 2 Mounting frame
- 3 Front cover
- 4 Steel front frame with door

Products identification

RZB distribution boards for flush mounting (IP30)

Number of rows	Number of modules in a row (total)	Type	Product code	PE and N terminal blocks	N terminal blocks for residual current circuit breakers	Weight [kg]	Power loss *) [W]	Package [pcs]
2	24 (48)	RZB-2N48-B	41307		2 pcs N: 7 × 16 mm ²	9.9	35.5	1
3	24 (72)	RZB-3N72-B	39331	PE 2x25 mm ² +43x16 mm ² N 2x25 mm ² +23x16 mm ²	3 pcs N: 7 × 16 mm ²	11.7	80	1
4	24 (96)	RZB-4N96-B	39332		3 pcs N: 7 × 16 mm ²	13.9	92	1
5	24 (120)	RZB-5N120-B	39333		4 pcs N: 7 × 16 mm ²	16.7	107	1
6	24 (144)	RZB-6N144-B	39334	PE 2x25 mm ² +58x16 mm ² N 2x25 mm ² +28x16 mm ²	5 pcs N: 7 × 16 mm ²	19.3	121	1
4	33 (132)	RZB-4N132-B	39335		4 pcs N: 7 × 16 mm ²	17.5	117	1
5	33 (165)	RZB-5N165-B	39336	PE 2x25 mm ² +78x16 mm ² N 2x25 mm ² +38x16 mm ²	5 pcs N: 7 × 16 mm ²	20.5	133	1
6	33 (198)	RZB-6N198-B	39337		5 pcs N: 7 × 16 mm ²	23.1	140	1

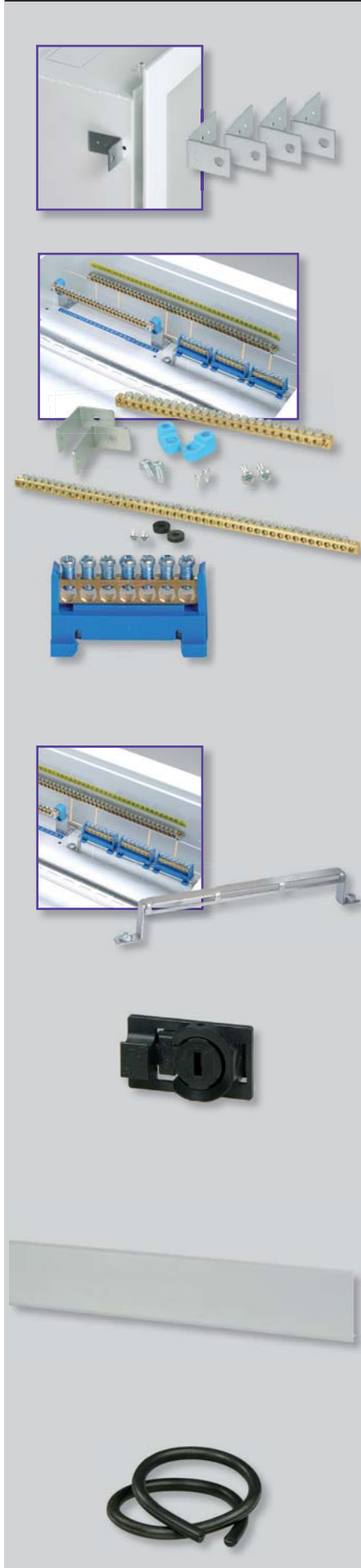
RNB distribution boards for wall mounting

Number of rows	Number of modules in a row (total)	Type	Product code	PE and N terminal blocks	N terminal blocks for residual current circuit breakers	Weight [kg]	Power loss *) [W]	Package [pcs]
2	24 (48)	RNB-2N48-B	41308		2 pcs N: 7 × 16 mm ²	11.4	47.3	1
3	24 (72)	RNB-3N72-B	39338	PE 2x25 mm ² +43x16 mm ² N 2x25 mm ² +23x16 mm ²	3 pcs N: 7 × 16 mm ²	14.2	86	1
4	24 (96)	RNB-4N96-B	39339		3 pcs N: 7 × 16 mm ²	17.1	101	1
5	24 (120)	RNB-5N120-B	39340		4 pcs N: 7 × 16 mm ²	20.0	115	1
6	24 (144)	RNB-6N144-B	39341	PE 2x25 mm ² +58x16 mm ² N 2x25 mm ² +28x16 mm ²	5 pcs N: 7 × 16 mm ²	22.9	130	1
4	33 (132)	RNB-4N132-B	39342		4 pcs N: 7 × 16 mm ²	19.9	127	1
5	33 (165)	RNB-5N165-B	39343	PE 2x25 mm ² +78x16 mm ² N 2x25 mm ² +38x16 mm ²	5 pcs N: 7 × 16 mm ²	23.3	137	1
6	33 (198)	RNB-6N198-B	39344		5 pcs N: 7 × 16 mm ²	26.7	153	1

1 module = 18 mm.

*) Power loss dissipated by the surface of the distribution board. According to IEC 890 + A1 - A method of temperature-rise assessment by extrapolation for partially type-tested assemblies (PTTA) of low-voltage switchgear and controlgear, ΔT = 15 K (difference between internal and external temperature).

ACCESSORIES FOR RZB, RNB DISTRIBUTION BOARDS



Mounting anchors

Type	Product code	Description	Hmotnost [kg]	Package [pcs]
PD-RB-4MU	39355	for fastening distribution board in walling-in, set of 4 pcs	0.1	1

SB terminal blocks

Type	Product code	Description	Weight [kg]	Package [pcs]
PD-RB-SB25	39345	for connection of Cu conductors 25x16 mm ² , for PE, N	0.06	1
PD-RB-SB30	39347	for connection of Cu conductors 30x16 mm ² , for PE, N	0.08	1
PD-RB-SB60	39348	for connection of Cu conductors 60x16 mm ² , for PE	0.17	1
CS-N7	35901	for connection of Cu conductors 7x16 mm ²	0.03	1

Terminal block bracket

Type	Product code	Description	Weight [kg]	Package [pcs]
PD-RB-DSB01	39349	for fastening 1 - 3 terminal blocks CS-N7	0.04	1

Quick-acting closures

Type	Product code	Description	Weight [kg]	Package [pcs]
PD-Q13-UR	38548	for modular covers, set of 10 pcs, for QA, RxB 33 modules in a row, Dx	0.14	1
PD-Q13-UR2	41311	for modular covers, set of 10 pcs, for RxB 24 modules in a row	0.14	1

Blind plates

- Serve for coverage of unused 45 mm cut-outs in the modular covers.


Type	Product code	Description	Weight [kg]	Package [pcs]
PD-R-ZAS1000-S	39354	55 modules, grey RAL 7035	0.05	1

Welts

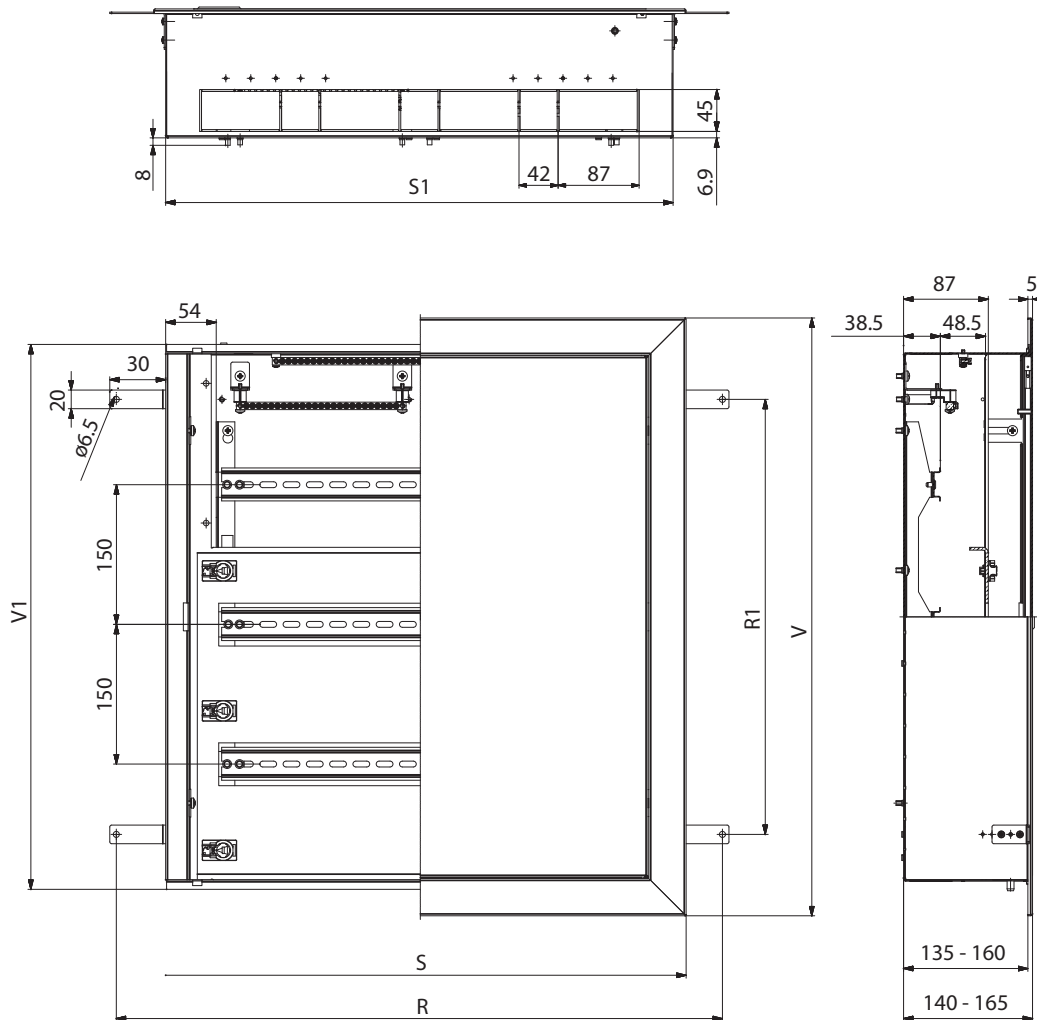
Type	Product code	Description	Weight [kg]	Package [pcs]
PD-RB-2LEM24	41309	welt around the hole for cables RxB 24 modules in a row	0.15	1
PD-RB-2LEM33	41310	welt around the hole for cables RxB 33 modules in a row	0.15	1

SPECIFICATIONS OF RZB, RNB DISTRIBUTION BOARDS

Specifications

Type	RZB, RNB	
Standards	EN 60439-1, EN 60439-3, EN 62208	
Approval marks		
Colour	white RAL 9016	
Degree of protection	IP30	
Stage of protection against external mechanical shocks	IK09	
Rated values of the used devices	max. 125 A, 230/400 V a.c., RxB-2N48-B max. 63 A	
Device rail	„U“ rail according to EN 60715 of width 35 mm	
Protection class	I	
Door	opening	left/right
	design	non-transparent
Material	steel sheet	
Mounting	wall / flush	

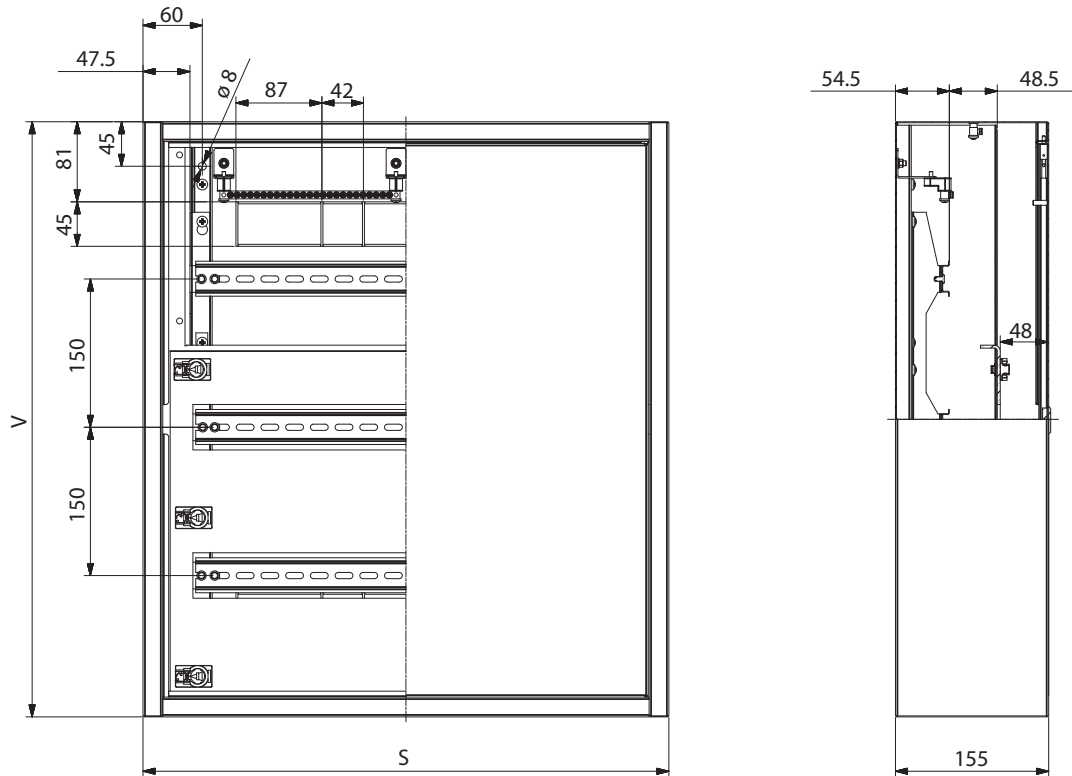
RZB dimensions



Type	V [mm]	S [mm]	V1 [mm]	S1 [mm]	R [mm]	R1 [mm]
RZB-2N48-B	492	572	435	545	651	317
RZB-3N72-B	642	572	585	545	651	467
RZB-4N96-B	792	572	735	545	651	617
RZB-5N120-B	942	572	885	545	651	767
RZB-6N144-B	1092	572	1035	545	651	917
RZB-4N132-B	792	734	735	707	813	617
RZB-5N165-B	942	734	885	707	813	767
RZB-6N198-B	1092	734	1035	707	813	917

SPECIFICATIONS OF RZB, RNB DISTRIBUTION BOARDS

RNB dimensions



Type	V [mm]	S [mm]
RNB-2N48-B	452	532
RNB-3N72-B	602	532
RNB-4N96-B	752	532
RNB-5N120-B	902	532
RNB-6N144-B	1052	532
RNB-4N132-B	752	694
RNB-5N165-B	902	694
RNB-6N198-B	1052	694

Static load of distribution boards

Total number of modules	Distribution boards Type	Static load [N]		
		Per a row	Total	Of door
72	RZB-3N72-B, RNB-3N72-B	78.5	235	0
96	RZB-4N96-B, RNB-4N96-B	78.5	314	0
120	RZB-5N120-B, RNB-5N120-B	78.5	392	0
144	RZB-6N144-B, RNB-6N144-B	78.5	471	0
132	RZB-4N132-B, RNB-4N132-B	78.5	314	0
165	RZB-5N165-B, RNB-5N165-B	78.5	392	0
198	RZB-6N198-B, RNB-6N198-B	78.5	471	0